

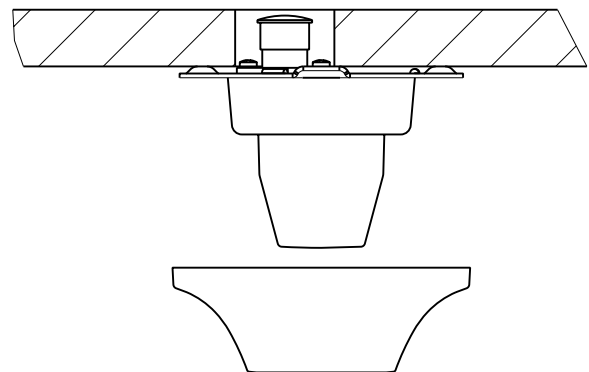
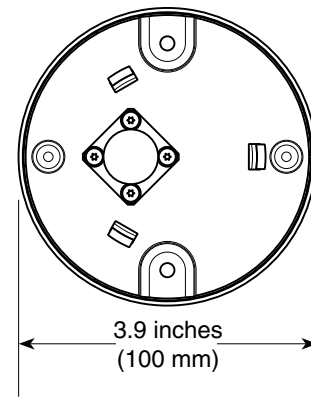
Wideband Omnidirectional Indoor Antenna

The Kathrein 741 573 is a broadband omnidirectional antenna designed for indoor installations. It can be used for systems operating in the 1710–2700 MHz spectrums. Typical applications include cellular microcells, paging, data networking, and PCS.

The very compact and low profile design incorporates its own ground plane which also attaches it to the ceiling or other mounting surface.

Specifications:

Frequency range	1710–2700 MHz
Gain	2 dBi
Impedance	50 ohms
VSWR	1710–1880 MHz <1.6:1 1850–1990 MHz <1.6:1 1920–2170 MHz <1.6:1 2170–2500 MHz <2:1 2500–2700 MHz <2.2:1
Polarization	Vertical
Maximum input power	50 watts (at 50°C)
H-plane beamwidth	Omni
Connector	N female
Weight	0.33 lb (0.15 kg)
Dimensions	3.9 x 3.9 x 2 inches (100 x 100 x 50 mm)
Mounting	Mounts to ceiling using screws. A 1.4 in. (35 mm) hole is required for the N connector.



Clip the protective housing into position after the antenna has been mounted using the supplied screws

Order Information:

Model	Description
741 573 IDBO-2100N	Omnidirectional indoor antenna



All specifications are subject to change without notice.
The latest specifications are available at www.kathrein-scala.com.